



1245

Telehandlers < 6,0 m



The compact genius amongst telescopic wheel loaders

With their compact dimensions, Kramer telescopics open up a wide range of applications across many industries. These efficient machines impress with their dynamic all-wheel drive, high payload, unbeatable manoeuvrability and low weight.

- Driver assist system vls (Vertical Lift System)
- High manoeuvrability through ultra-compact dimensions
- Easy to transport due to low charge weight
- Combines the advantages of a mini wheel loader / fork lift with those of a traditional telescopic handler



1245

Telehandlers < 6,0 m

Technical specifications

Operating data

Bucket capacity (standard bucket)	0.45 m ³
Operating weight	2,700 kg
Turning radius	2,722 mm

Engine / Motor

Engine / Motor manufacturer	Yanmar
Engine performance	22.6 kW
Engine performance (optional)	29.9 kW

Power transmission

Traction drive	Hydrostatic
Travel speed	20 km/h
Service brake	Parking brake on all four wheels effective
Differential lock	100% connectable
Standard tires	10.5/75-15.3

Steering and operating hydraulics

Steering angle	2x38 °
Flow rate	42 l/min
Pressure (maximum)	220 bar
Flow rate (optional)	75 l/min

Kinematics

Payload (maximum)	1,200 kg
Payload (for max. lift height)	1,100 kg
Payload (for max. range)	440 kg

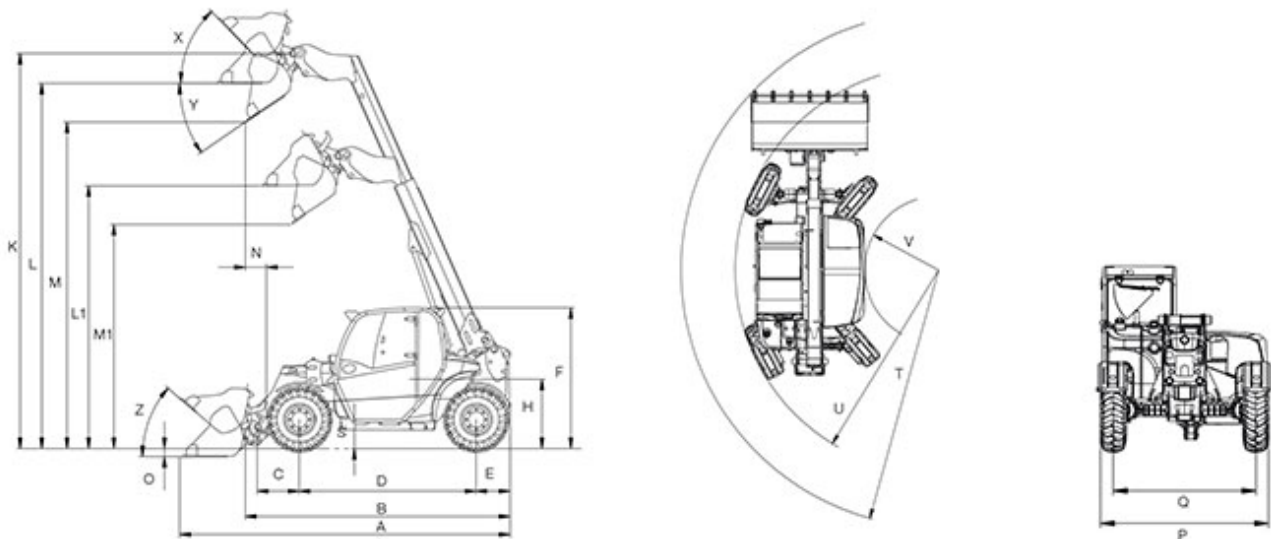


KRAMER
on the safe side

Additional technical data is available in the detailed brochure in the informational material section



Dimensions



	Width	1,600 mm
A	Length (including tool frame)	3,886 mm
B	Length (with standard bucket)	2,916 mm
C	Center of front axle to tip of teeth	425 mm
D	Wheelbase	1,920 mm
E	Rear overhang	391 mm
F	Height	1,940 mm
H	Seat height	953 mm
L1	Overhead loading height (extended)	2,909 mm
L	Overhead loading height	4,123 mm
M1	Dumping height (extended)	2,375 mm
M	Dumping height	3,589 mm
N	Dump reach (extended)	543 mm



O	Scraping depth	94 mm
P	Width	1,560 mm
Q	Track width	1,296 mm
S	Ground clearance	286 mm
T	Radius	3,489 mm
U	Radius	2,722 mm
V	Inside turning radius	951 mm
X	Reverse roll angle	52 °
Y	Tip-out angle (standard bucket up)	31 °
Z	Reverse roll angle	44 °
	Stack height (extended)	4,310 mm
	Turning radius (over tyres)	2,722 mm

Information on suitable accessories can be found on our website.

The right to make changes is reserved in the interests of ongoing further developments. You can find more information on the engine power in the operator's manual. The actual power output figures may vary due to specific operating conditions.

Information on suitable accessories can be found on our website. More detailed information on engine power can be found in the operator's manual; the stated power may vary due to specific operating conditions. Subject to alterations and errors excepted. Applicable also to illustrations. Copyright © 2017 Kramer-Werke GmbH.